

Current Sensor

Descriptions

The CS Current Sensor is a solid state transducer for measuring the current in fans, pumps and other HVAC equipment. Select one of three ranges by moving a jumper on the device to operate over 10A, 20A and 50A. This sensor outputs 0-5V directly and requires no power supply.

Clamping / Split Core Current Transformer is designed to provide a low cost method to monitoring electrical current. A unique hinge and locking snap allows attachment without interrupting the current-carrying wire. High secondary turn will develop signals up to 10Vac across a burden resistor

Features

1. Self powered, no external power supply required
2. 1-5VDC output, connects directly to automation systems
3. One sensor for three ranges, jumper selected
4. Low cost, replaces digital status relays
5. Panel mounting

Specifications

Power Supply: Not required
 Operating Temperature: -20 ~ 60 OC
 Operating Humidity: 0 ~ 95% RH
 CT Material: ABS (UL94)
 CT Ranges: 10, 20, 50Amp, jumper selected
 Output Signal: 1~5VDC; porportional to average current
 Accuracy: 2%
 Plastic housing: Flammability rating UL94V0 file E194560

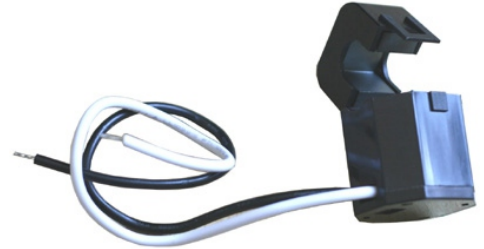
Key Specifications

Window Size	0.4" (10 mm)
Current Range*	0.25 - 40A AC
Output	300 mV @ 20AAC
Ratio Error**	<0.5% from 0.25 to 40AAC (typical)
Phase Error**	<1.5° from 1 to 40A C <2° from 0.25 to 1AAC

Electrical

Output	300 mV @ 20 A
Wire Polarity	Red = Hi, positive(+) Black= Low, negative(-)
Phasing Orientation	Arrow On Case Points Toward Load
Frequency Range	50 to 400 Hz

CS-SP-50F-AC:



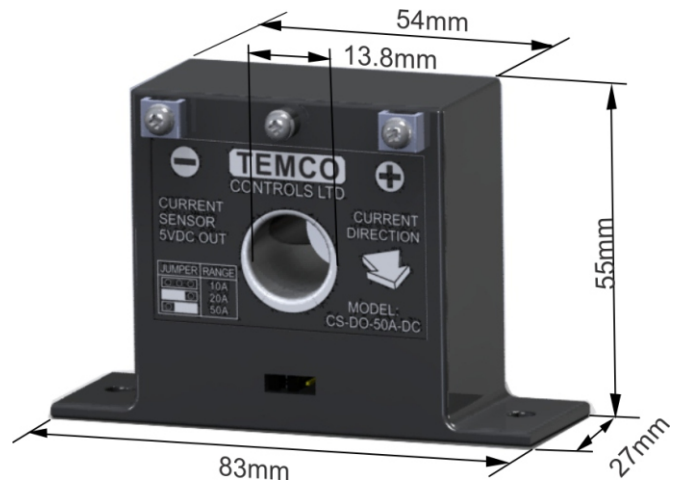
CS-SP-50A-DC:



CS-DO-50A-DC:



Mechanical

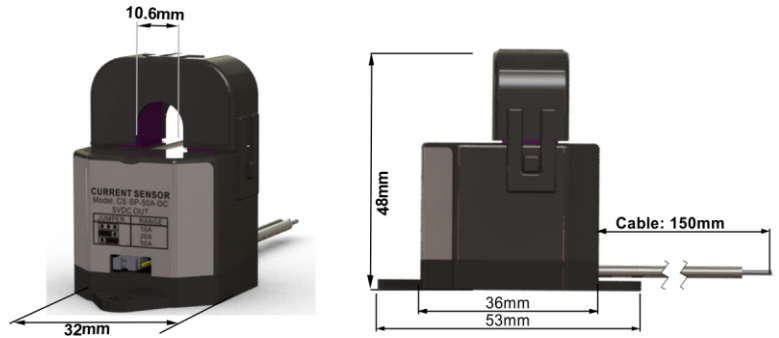


Mechanical

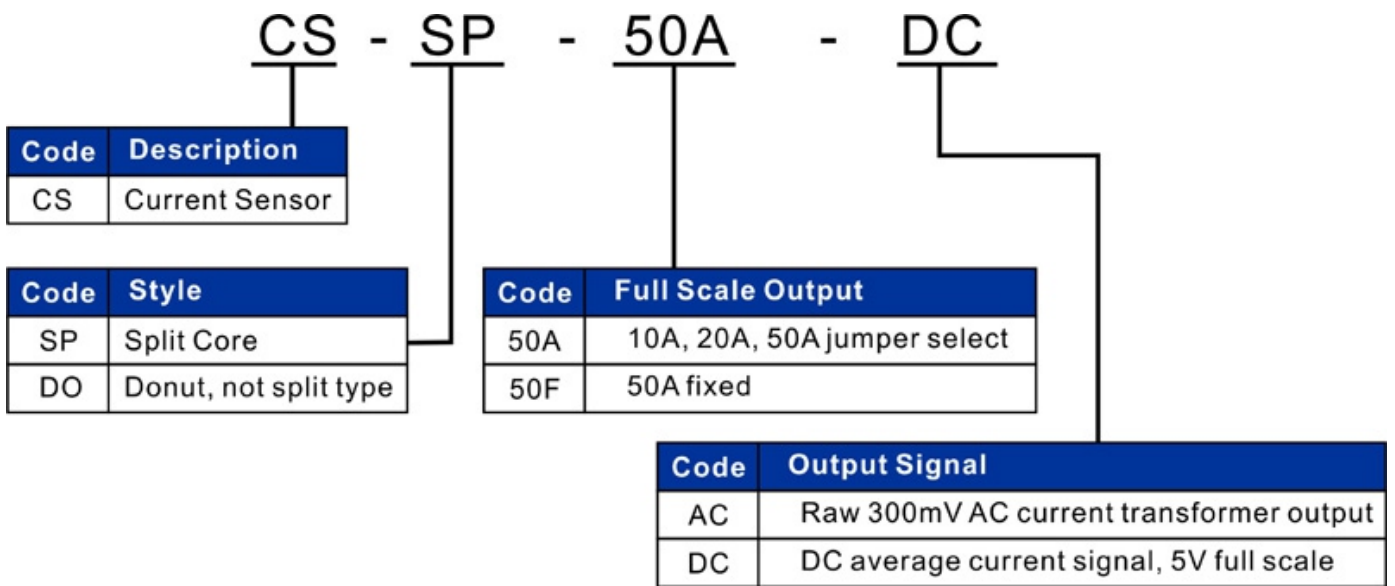
Case Material	Black Nylon, UL 94 V-0
Leads 2.4 M (8'),	600V, 20 gage
Working Temperature	15 to 60°C (5 to 140°F)

Specifications

JUMPER	RANGE												
<table border="1"> <tr> <td>1</td> <td>2</td> <td>3</td> </tr> <tr> <td>●</td> <td>●</td> <td>●</td> </tr> <tr> <td>■</td> <td>●</td> <td>■</td> </tr> <tr> <td>●</td> <td>■</td> <td>■</td> </tr> </table>	1	2	3	●	●	●	■	●	■	●	■	■	10A
1	2	3											
●	●	●											
■	●	■											
●	■	■											
<table border="1"> <tr> <td>■</td> <td>■</td> <td>■</td> </tr> <tr> <td>■</td> <td>■</td> <td>●</td> </tr> <tr> <td>■</td> <td>■</td> <td>■</td> </tr> </table>	■	■	■	■	■	●	■	■	■	20A			
■	■	■											
■	■	●											
■	■	■											
<table border="1"> <tr> <td>■</td> <td>■</td> <td>■</td> </tr> <tr> <td>■</td> <td>■</td> <td>■</td> </tr> <tr> <td>■</td> <td>■</td> <td>■</td> </tr> </table>	■	■	■	■	■	■	■	■	■	50A			
■	■	■											
■	■	■											
■	■	■											



Part Number Scheme



Ordering Information

Part Number	Description
CS-DO-50A-DC	CS-DO-50A-DC Non clamping sensor, DC output, 10A, 20A, 50A with jumper, 0-5VDC out.
CS-SP-50A-DC	CS-SP-50A-DC Clamping sensor, DC output, 10A, 20A, 50A with jumper, 0-5VDC out.
CS-SP-50F-AC	CS-SP-50F-AC Clamping sensor, AC output, 50A fixed, 0-300mVAC out.